

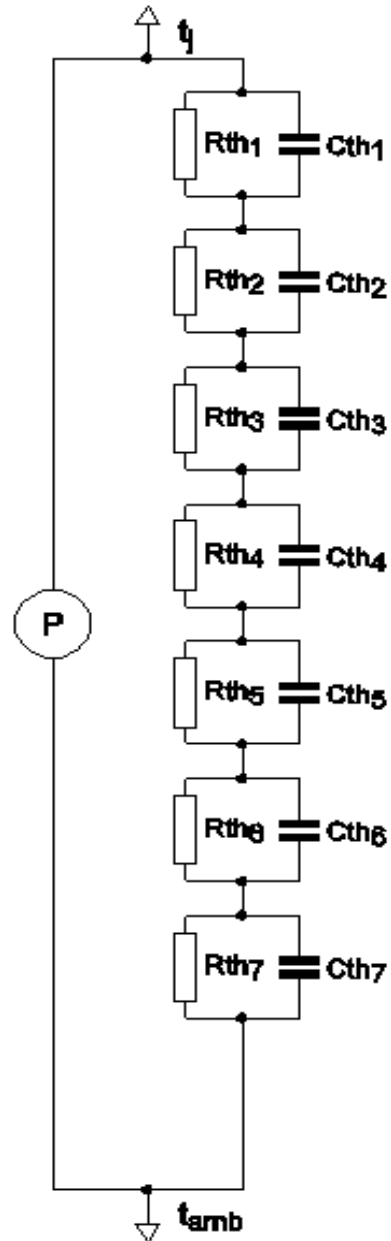
## SPICE thermal model

BUK7Y113-100E

| Symbol         | Parameter   | Conditions | Min | Typ | Max  | Unit |
|----------------|---|------------|-----|-----|------|------|
| $R_{th(j-mb)}$ | thermal resistance from junction to mounting base |            | -   | -   | 3.33 | K/W  |

|           |             |
|-----------|-------------|
| $C_{th1}$ | 1.391E-05 F |
| $C_{th2}$ | 8.369E-05 F |
| $C_{th3}$ | 1.007E-04 F |
| $C_{th4}$ | 7.010E-04 F |
| $C_{th5}$ | 9.370E-04 F |
| $C_{th6}$ | 4.967E-03 F |
| $C_{th7}$ | 7.711E-02 F |

|           |                    |
|-----------|--------------------|
| $R_{th1}$ | 6.625E-03 $\Omega$ |
| $R_{th2}$ | 1.505E-02 $\Omega$ |
| $R_{th3}$ | 8.856E-02 $\Omega$ |
| $R_{th4}$ | 1.705E-01 $\Omega$ |
| $R_{th5}$ | 8.947E-01 $\Omega$ |
| $R_{th6}$ | 1.999E+00 $\Omega$ |
| $R_{th7}$ | 1.566E-01 $\Omega$ |



Part: BUK7Y113-100E  
 Date: 25/1/2013  
 Rth 3.33 K/W